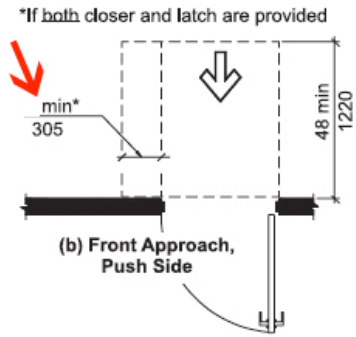


Accessibility Quiz

Monday, May 25, 2009

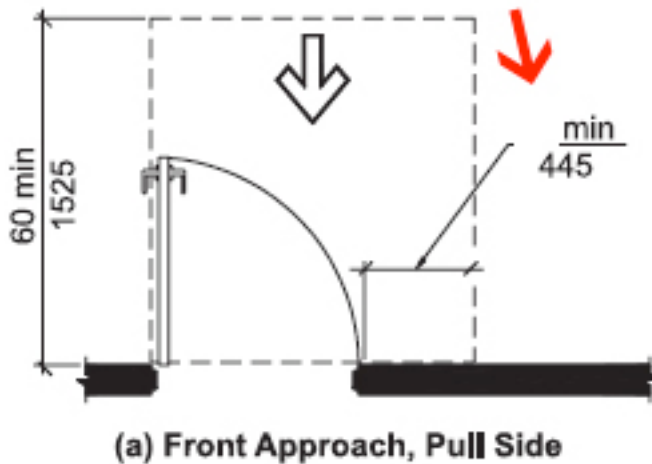
Quiz is based upon ANSI 117.1-2003, ADAAG

1. Interior doors are not to exceed ____ opening force.
 - a. 8.5 lbs
 - b. 3.0 lbs
 - c. 5.0 lbs
 - d. 5.5 lbs
2. What constitutes a protruding object?
 - a. Protruding 4" off the wall, above 30" below 60"
 - b. Protruding 6" off the wall, above 27" below 80"
 - c. Protruding 4" off the wall, above 27" below 80"
 - d. Protruding 8" off the wall, above 27" below 80"
3. In a full accessible stall or an ambulatory stall the toilet should be located ____ off the side wall?
 - a. 12"
 - b. 18"
 - c. 24"
 - d. 19"
4. True or **false**: a full accessible stall is required to have the 5'-0" turning diameter inside the stall.
5. Doorways shall have a clear opening width of ____
 - a. 32"
 - b. 36"
 - c. 30"
 - d. 38"
6. An accessible route shall have a clear width of ____ for passing space of 2 wheelchairs.
 - a. 42"
 - b. 36"
 - c. 60"
 - d. 72"
7. What is the dimension at the strike side of the door if it opens in the direction of travel and has both a closer and a latch?



- a. 12" min
- b. 18" min
- c. 19" min
- d. 24" min

8. What is the dimension at the strike side of the door if it opens toward you?



- a. 12" min
- b. 24" min
- c. 18" min
- d. 19" min

9. A ramp may not have a walking surface that has a slope greater than ____

- a. 1:5
- b. 1:10
- c. 1:20
- d. 1:25

10. True or false: an operable part cannot require pinching or twisting of the wrist?

11. A cross slope may not exceed ____

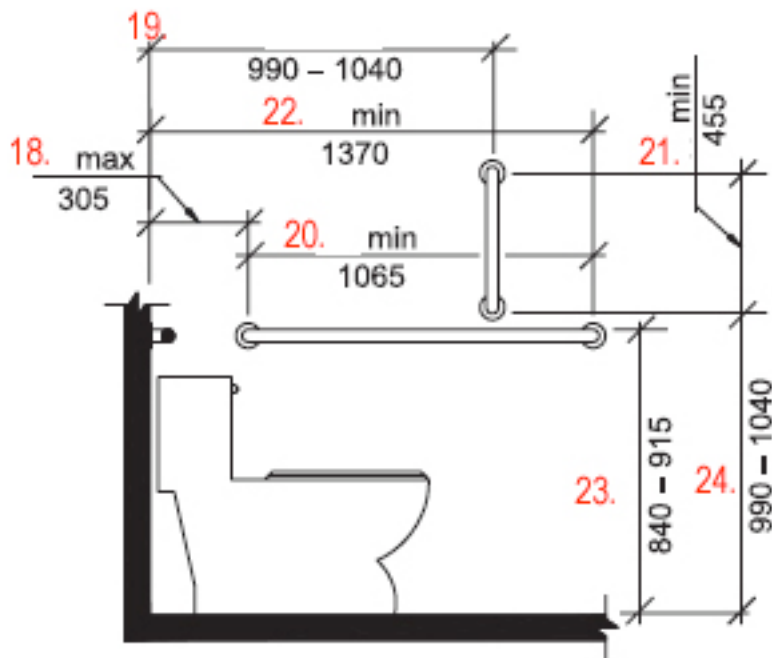
- a. 1%
- b. 3%
- c. 2%
- d. 5%

12. The maximum floor change height is _____ and it is required to be beveled.

a. 1"

- b. 1/3"
 - c. 1/2"
 - d. 1/4"
13. **True** or false: Doors are allowed to swing into turning space
14. Handrail extensions on ramps are required to be _____ and shall be parallel to the walking surface.
- a. 18" min
 - b. 24" min
 - c. 12" min
 - d. 36" min
15. Handrail extensions at the bottom of the stairs are required to be _____ at the bottom of the stairs.
- a. 12" plus the depth of the bottom tread
 - b. 11" plus the depth of the bottom tread
 - c. One tread depth past the bottom tread
 - d. 6" plus the depth of one tread.
16. **True** or false: the clear floor space is required to be centered on the drinking fountain.
17. True or **false**: doors can swing into the clear floor spaces or clearance at fixtures.

Use this Diagram to answer questions 18 through 24.



- 18.
- a. 24"
 - b. 6"
 - c. 12"

d. 24"

19.

a. 12"-14"

b. 24" - 26"

c. 39" - 41"

20.

a. 40"

b. 42"

c. 44"

d. 48"

21.

a. 24"

b. 12"

c. 36"

d. 18"

22.

a. 36"

b. 24"

c. 42"

d. 54"

23.

a. 34 -38"

b. 31"-36"

c. 33" - 38"

d. 33" to 36"

24.

- a. 12"-14"
- b. 24" - 26"
- c. 39" - 41"

25. The front of the lavatories and sinks shall be mounted at ____ a.f.f.

- a. 36"
- b. 34"
- c. 30"
- d. 33"